

PANEL CUT-OUT

SPECIFICATIONS

Max. current/voltage rating with resistive load:
 400mA 32VAC - 100 mA 50VDC - 125 mA 125VAC.
 INITIAL CONTACT RESISTANCE: 50 mΩmax.
 INSULATION RESISTANCE: 1 GΩmin. at 500VDC.
 DIELECTRIC STRENGTH: 1,000 VAC rms.
 ELECTRICAL LIFE AT FULL LOAD: 500,000 cycles.
 PANEL THICKNESS: 1.5 mm min. - 4 mm max.
 TOTAL TRAVEL: 1.5 mm.
 OPERATING FORCE: 2N~5N.
 CONTACT BOUNCE: 10 ms.
 MECHANICAL LIFE: 1,000,000 cycles.
 TORQUE: 0.5 Nm max. applied to nut.
 SOLDERING: 350°C max. for 5 seconds.

SWITCH FUNCTION

	POS.1	POS.2
Model No.		
ON/OFF	OFF	MOM
Term. Comm.	OPEN	1-3
SCHEMATIC		

福哥興業股份有限公司 FAVOR UNION CO., LTD.

台灣新北市新莊區大安路20號

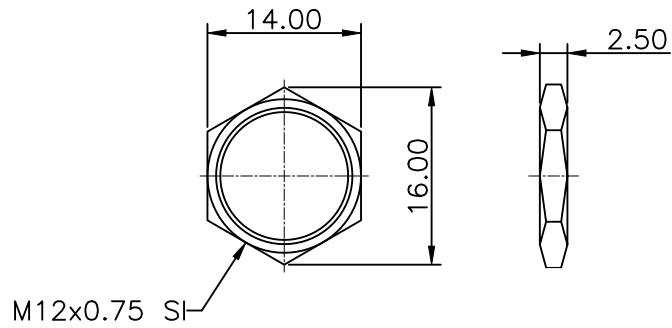
NO. 20 TA AN RD. HSIN CHUANG
 NEW TAIPEI CITY TAIWAN R. O. C

TEL 886-2-2202-8766

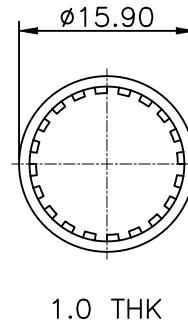
FAX 886-2-2204-3500

比例 SCALE	
單位 DIMENSION mm	
DO NOT SCALE DRAWING TOLERANCES UNLESS OTHERWISE	
UP TO 10	±0.3
ABOVE 10 TO 100	±0.5
ABOVE 100	±0.8
ANGULAR DIMENSIONS	5 °

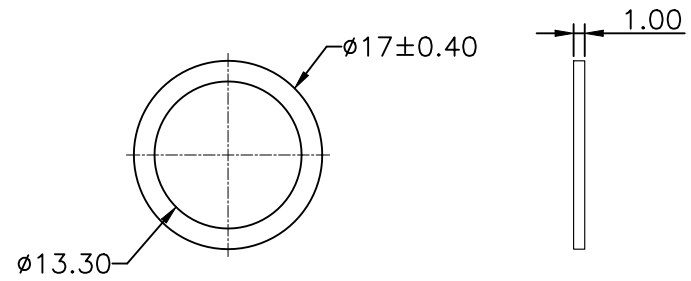
品名 TITLE	PUSH SWITCH SERIES			
型號 MODEL	FSZT17-1-1-201-DE			
繪圖 DRAWN	許麒弘	核准 APPROVED	黃威翔	
	版次 REVISION	A	日期 DATE	2019/8/23



M12x0.75 SI NUT



LOCKING WASHER



EVA WASHER

	PART NAME	Q'TY
1	M12x0.75 SI NUT	1
2	LOCKING RING	1
3	EVA WASHER	1

福哥興業股份有限公司 FAVOR UNION CO., LTD.

台灣新北市新莊區大安路20號

NO. 20 TA AN RD. HSIN CHUANG
NEW TAIPEI CITY TAIWAN R. O. C

TEL 886-2-2202-8766

FAX 886-2-2204-3500

比例 SCALE		品名 TITLE		HARDWARE	
單位 DIMENSION mm		型號 MODEL		M12x0.75 SI NUT LOCKING WASHER/EVA WASHER	
DO NOT SCALE DRAWING TOLERANCES UNLESS OTHERWISE		繪圖 DRAWN		核准 APPROVED	
UP TO 10	±0.3	許麒弘		黃威翔	
ABOVE 10 TO 100	±0.5	版次 REVISION		日期 DATE	
ABOVE 100	±0.8	A		2019/8/23	
ANGULAR DIMENSIONS	5°				